

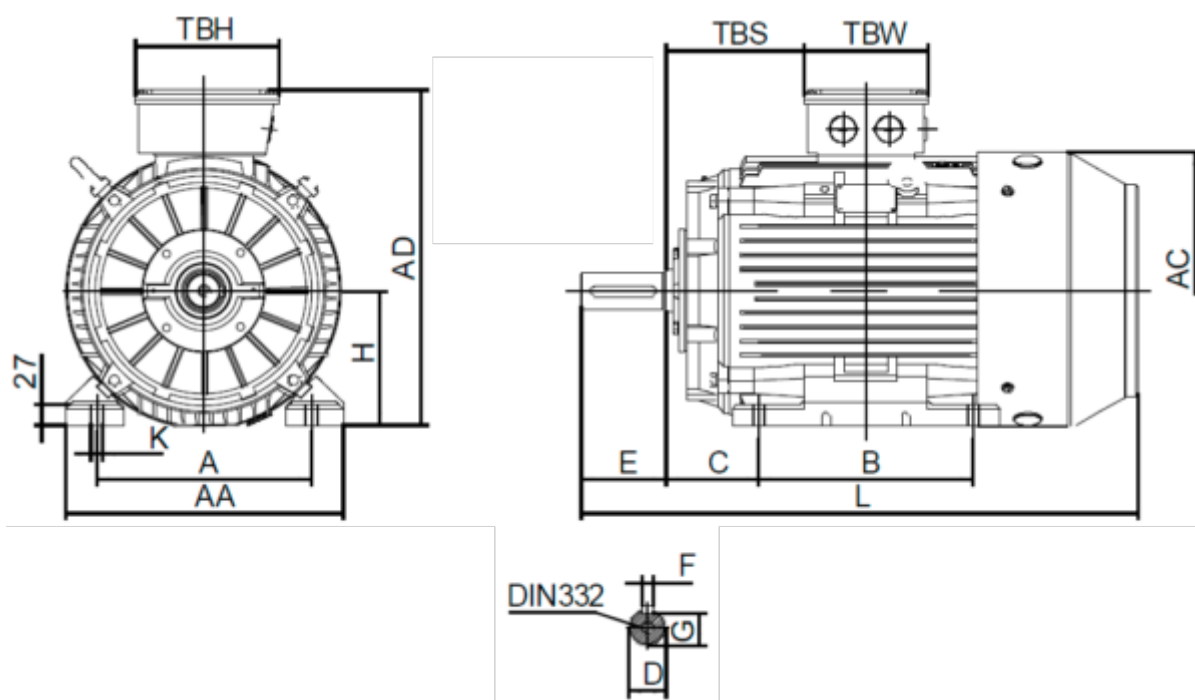
# Data Sheet



Article number: 250300300212

Description: Kleedrive T3C 100L-2 3.0KW 2800 rpm  
3x230/400V 50HZ IP55 B3 Eff=87,1%

## Measures



A = 160	F = 8	TBW = 114
AA = 203	G = 24	
AC = Ø199	H = 100	
AD = 251	HD = 151	
B = 140	K = Ø12	
C = 63	L = 385	
D = Ø28	TBH = 114	
E = 60	TBS = 76	